

Next Generation Managed POTS Lines



+1 (720) 282-0217

Sales@Vozmia.com



NEXT GEN

Our Next Generation Managed POTS Line Service is a code compliant comprehensive solution that directly replaces traditional First-Generation POTS lines. All equipment is carrier grade and UL Listed to deliver future proofed telephone services. Our technology replaces all analog business lines including but not limited to: Fire Alarms, Security Alarms, 911 Lines, Elevators, Fax Lines, Remote Access Modems, Credit Card Machines, Security Gates, Point of Sale Terminals, Out of Band Management Systems, Legacy PBX Systems, Panic Buttons and more.



1ST GEN

First Generation POTS Line

Carriers are decommissioning copper voice infrastructure and support.

- Deregulation allows for skyrocketing prices
- Copper Voice Infrastructure being shut down
- Aging copper is deteriorating and unreliable
- Carriers do not prioritize copper line repairs
- SLAs have been eliminated
- New copper installations are no longer available



Next Generation POTS Line

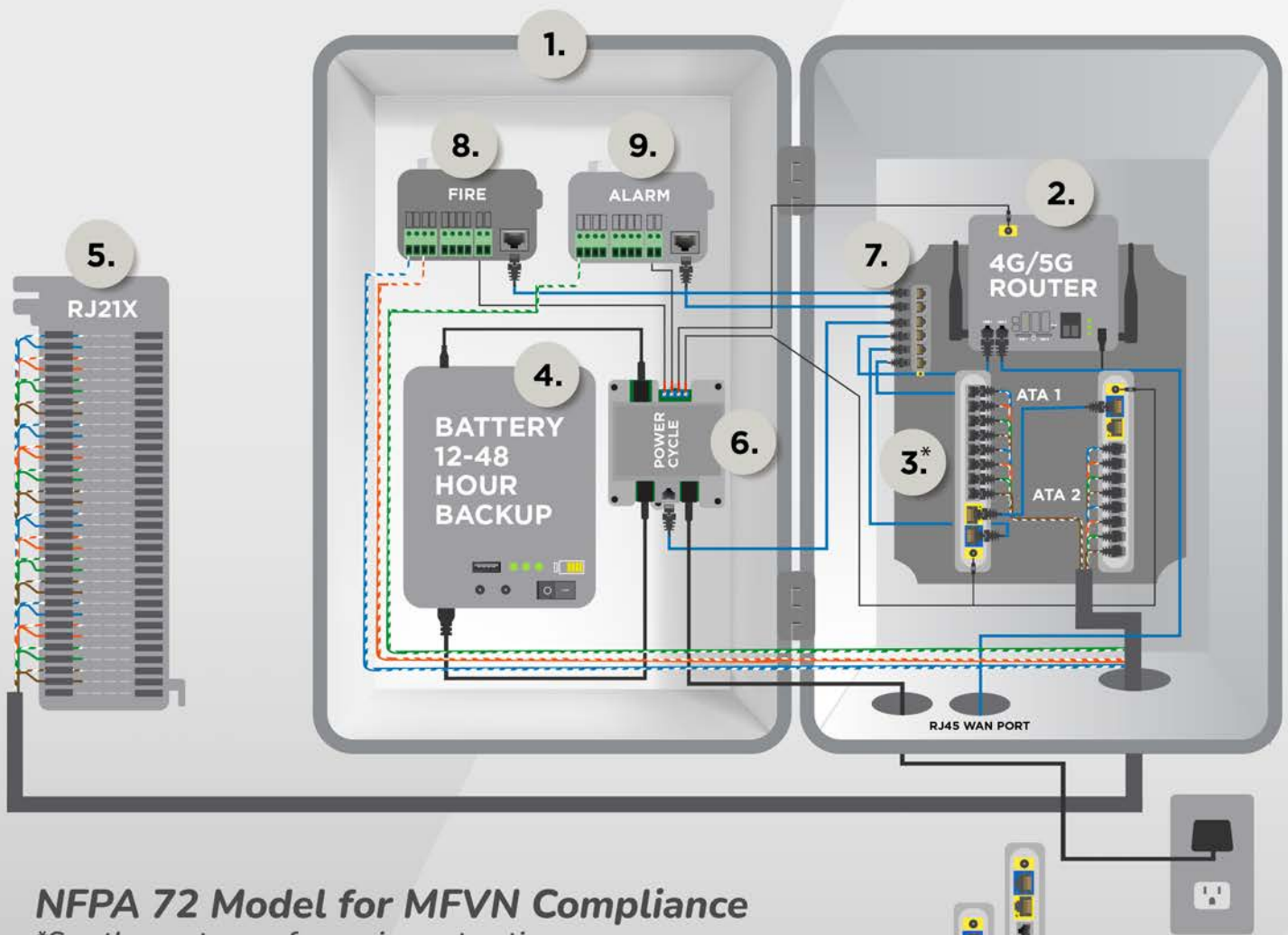
- Guaranteed Compatibility with Legacy Systems
- More reliable than traditional copper POTS lines
- Multi-Wan Connectivity (Cellular, Broadband, WiFi)
- Business connectivity during network outages
- Approved for Life Safety
- Permitted under the National Fire Protection Association (NFPA) 72 as a Managed Facilities Voice Network (MFVN)
- Meets or exceeds national, state, and local building and fire codes
- NFPA 72 Code Compliant
- PCI Compliant for payment, POS and other financial transactions
- HIPPA Compliant for medical, pharmacy and insurance environments
- Largest inventory of industry leading managed equipment
- Nationwide professional installation team
- Dedicated porting team
- Dedicated Project Management with Enterprise Experience
- Acceptance testing for every location deployment
- 24x7x365 AI powered NOC with monitoring and alerts
- Remote Firmware Updates
- Break/Fix with Emergency Replacement
- Fault Tolerant Geographically Redundant Data Centers
- The Best SLAs in the Industry
- Cost savings of up to 50%
- Online Status and Management Portal
- Real-Time Monitoring & Alerts



Equipment Models:

Next-Generation Managed POTS Lines

Vozmia POTS System: 1-16 Lines



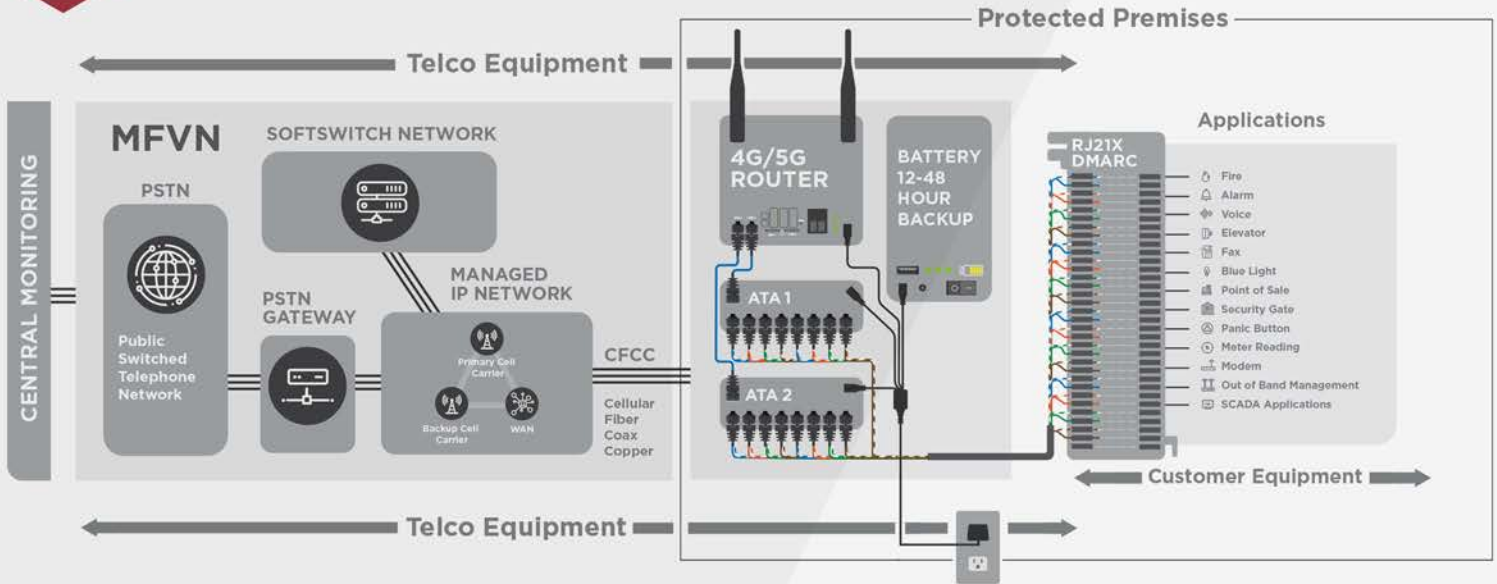
NFPA 72 Model for MFVN Compliance

**See the next page for equipment options*

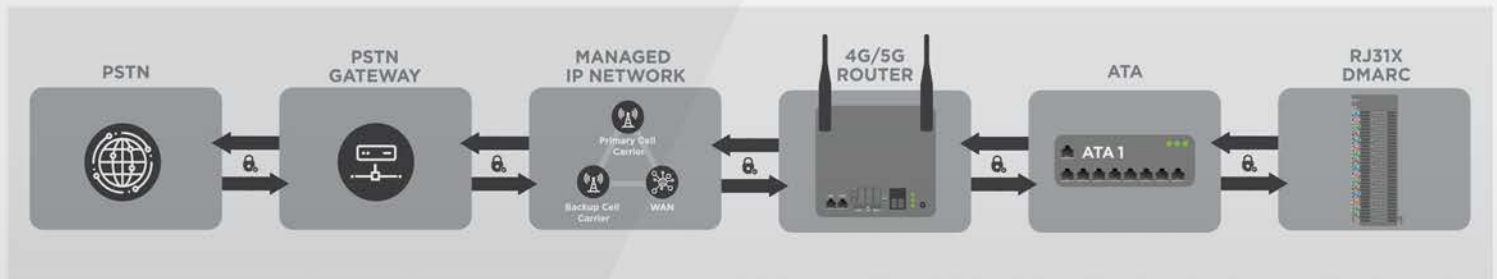
** 2, 4 or 8 Port ATAs can be used*



NFPA 72 Model for MFCN Compliance



Private Secured End-to-End Connection



Equipment Specifications:

- | | |
|---|---|
| <ol style="list-style-type: none"> 1. Enclosure NEMA Telco Enclosure 14.5"H x 10.5"W x 7.5"D 2. Router Industry Leading Cellular Router 4G or 5G 3. ATAs
2 4 8 Port Up to 2 ATAs Supports 1-16 Lines 4. Battery Mini UPS 10.4 Ah Uninterrupted Power Supply
Up to 48 Hours of Back Up Power 5. RJ21X (66 Block) Code Compliant DMARC for POTS Line Delivery
10"H x 3"W x 1"D 6. Power Cycle 1. Remote Reboot Device
2. Supports 4 Channels
3. Monitors Battery Health | <ol style="list-style-type: none"> 7. Switch (5 Port) 8. Fire Communicator <ul style="list-style-type: none"> 1. UL 864, 1610 listed 2. CSFM, FDNY, LAFD approved 3. NFPA 72 compliant 4. Intertek ETL Listed 9. Alarm Communicator <ul style="list-style-type: none"> 1. Intertek ETL Listed |
|---|---|



Applications Include:



Voice



Fire Alarm



Security Alarm



Elevator



Fax



Modem



Emergency Call Box



Point of Sale



Paging System



Access Control



Panic Button



Meter Reading



ATM



Vending Machine



SCADA Application Phone System



Backup



Data Connection Backup



Solution Specifications

- Connectivity: Broadband, 4G LTE, 5G, Wi-Fi
- Optional Primary Cellular Connectivity
- Multi-SIM, Multi-Carrier Connectivity Options
- Up to 16 POTS Lines per Equipment Enclosure
- Up to 48 hours of Emergency Battery Backup Power
- RJ21X DEMARC (66-Block)
- NFPA 72 Code Compliant
- UL 60950-1, UL 62368-1, and UL 2054 listings



Technical Specifications:

Physical

- Dimensions: 11"L x 7"W x 7"H
- Weight: 7.7 lbs
- Mounting: Wall Mounted (4 screws for Enclosure, 2 screws for Telco Block)
- Enclosure: NEMA Telco Enclosure

Power

- AC Input: 120 VAC
- AC Frequency: 60 Hz
- AC Current: 1 A
- UPS Battery:
Capacity: 11.1V/10.4Ah (115.44Wh)
Input: DC5521: 12.6V/2A
Output: 4 x DC5521: 9-12.6V/6A Max.
Output: 1 x DC5521: 9V/2A Max.
Output: 2 x USB: 5V/2A Max.

Environmental

- Operating Temperature: -20C to 70C (-4 F to 158 F)
- Storage Temperature: -20C to 85C (-4 F to 185 F)
- Operating Humidity: 5% to 95%

Router

- ReadyNet LTE520S
- Wireless VoIP 4G LTE Router
- Dual VoIP Ports with Dual ATAs
- Automatic WAN Redundancy
- Verizon, AT&T, & T-Mobile certified

Interfaces

- POTS Ports
RJ21X
Direct Punch down to 66 Block
Up to 16 RJ11 Jacks

Security and Encryption

- Firewall
- End-to-PSTN Encryption
- Proprietary Signaling Protocol
- VLAN Capable

Regulatory and Compliance Approvals

- Permitted under NFPA 72 (National Fire Protection Association)
- Managed Facilities Voice Network (MFVN)
- Approved for Fire/Life Safety applications, including elevators and alarm systems
- Tested and extensively accepted by leading fire and burglar panel manufactures
- HIPPA Compliant
- PCI Compliant
- RoHS
- UL 60950-1, UL 62368-1, and UL 2054 listings

Included Accessories

- North American power cord
- Wall mount screw pack
- 66-Block and bracket
- Installation Guide

Country of Origin

- Assembled in the United States

TECHNICAL